



8AC1



Actual product appearance may vary.

AC Series Door Switch, Single Pole Double Throw Circuitry (4), 5 A at 250 Vac & 30 Vdc, Rod Actuator, Silver Contacts, Solder Termination

Features

- Automatically cuts power when service door or drawer is opened
- Choice of momentary, maintained or pull-to-charge actuation
- Versatile mounting bracket for side or end mounting
- Current rating ranges from 5 A to 25 A
- Available with one or two SPDT switches
- UL recognized versions available
- Choice of termination

Potential Applications

- Appliances
- Vending machines
- Office equipment
- Computer/business equipment
- Test instruments
- Medical/dental equipment
- Communications equipment
- HVAC equipment

Description

MICRO SWITCH™ AC Series Door Switches are used for simple or precision on/off application needs. They enable circuit testing with POWER ON by manually pulling a rod actuator to the maintained-ON position. Closing the door resets the switch.

Product Specifications	
Switch Type	Door 40,4 mm H x 16,51 mm W x 47,8 mm L [1.59 in H x 0.65 in W x 1.88 in L]
Sealed	No
Ampere Rating	5 A
Circuitry	Single Pole Double Throw (SPDT) (4)
Actuator	Rod
Termination	Solder
Operating Temperature Range	-53 °C to 121 °C [-65 °F to 250 °F]
Voltage	30 Vdc
Contact Type	Silver
Overtravel (O.T.)	3,18 mm [0.125 in] max.

Operating Position (O.P.)	5,16 mm [0.203 in] min.
Free Position (F.P.)	9,53 mm [0.375 in] max.
Housing Material	Stainless Steel Bracket, Stainless Steel Rod
High Temperature	121 °C [250 °F]
Mounting Screw Size	6-32 UNC Thread
Mounting Centers	25,4 mm [1.00 in]
Package Height	40,4 mm [1.59 in]
Package Width	16,51 mm [0.650 in]
Package Length	47,8 mm [1.88 in]
Availability	Global
UNSPSC Code	30211905
UNSPSC Commodity	30211905 Snap switches
Series Name	AC



MICRO SWITCH

FREEPORT, ILLINOIS, U.S.A.
A DIVISION OF HONEYWELL

FED. MFG. CODE 91929

ASSEMBLY-SWITCH

CATALOG LISTING

8ACI

(B)

ISSUE 3

REPLACES

RELEASE NO.

CHECK

68

68

68

JMG

CHECK

68

11 JUN 68

LSD

CHECK

68

28 FEB 68

CHECK

68

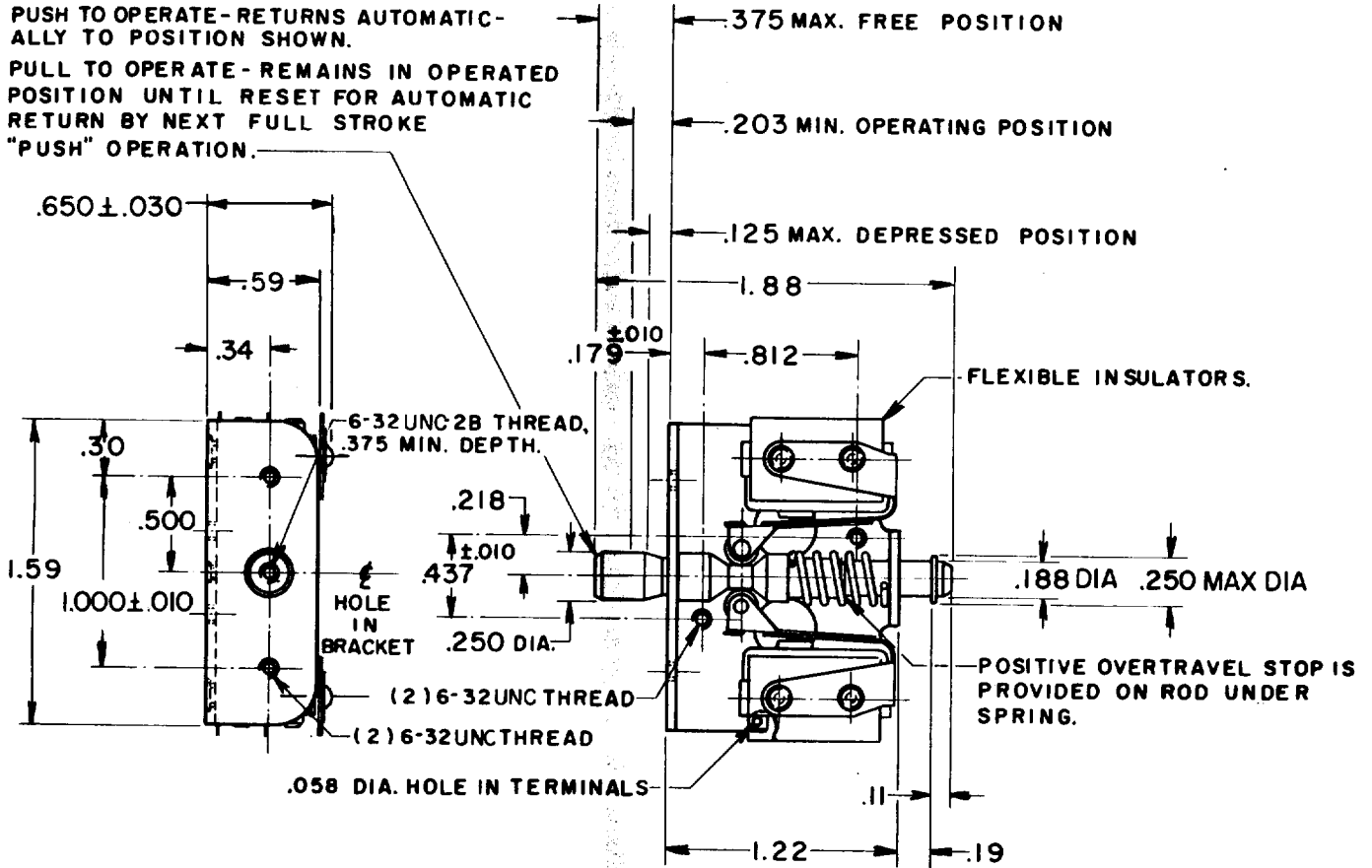
28 FEB 68

DRAWN

ORD

68

PUSH TO OPERATE - RETURNS AUTOMATICALLY TO POSITION SHOWN.
 PULL TO OPERATE - REMAINS IN OPERATED POSITION UNTIL RESET FOR AUTOMATIC RETURN BY NEXT FULL STROKE "PUSH" OPERATION.



NOTE-

- 1- UNIT INCLUDES CAT. LIST. ISMI BASIC SWITCHES (4)
- 2- SWITCHES DO NOT NECESSARILY OPERATE SIMULTANEOUSLY.
- 3- NOTCH IN ACTUATOR ROD WILL PERMIT .035 DISPLACEMENT BETWEEN END OF ROD AND HOLE IN BRACKET.
- 4- TERMINALS ARE PLATED FOR SOLDERING.

THIS DRAWING COVERS A PROPRIETARY ITEM AND IS THE PROPERTY OF MICRO SWITCH, A DIVISION OF MINNEAPOLIS-HONEYWELL REGULATOR CO. THIS DRAWING IS NOT TO BE COPIED OR USED WITHOUT THE APPROVAL OF MICRO SWITCH.

CHARACTERISTICS

TOTAL TRAVEL .250 APPROX PUSH DIRECT.
 .188 APPROX PULL DIRECT.

ELECTRICAL DATA

CONTACT ARRANGEMENT
 SPDT (4)

SCALE FULL

DO NOT SCALE PRINT

UNLESS OTHERWISE NOTED
 DIMENSIONS ARE IN INCHES

TOLERANCES ARE:

ONE PLACE	(.0)	$\pm .030$
TWO PLACE	(.00)	$\pm .015$
THREE PLACE	(.000)	$\pm .005$
ANGLES		\pm

WEIGHT